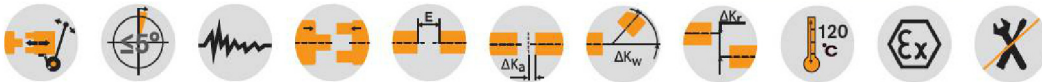


# ROTEX® SD Flexible jaw couplings

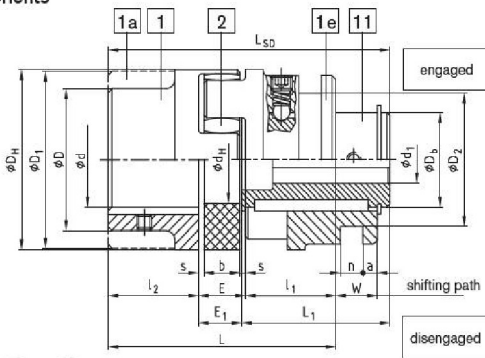
## Shiftable coupling shiftable at standstill



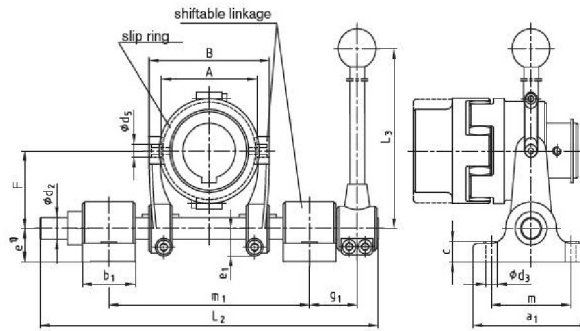
For legend of pictogram please refer to flapper on the cover



### Components



Type SD



Type SD with slip ring and shiftable linkage

| ROTEX® Type SD (No. 015) |             |                |      |                 |                     |                |                |                   |    |     |    |                |     |                |      |      |       |                           |                |                        |                 |
|--------------------------|-------------|----------------|------|-----------------|---------------------|----------------|----------------|-------------------|----|-----|----|----------------|-----|----------------|------|------|-------|---------------------------|----------------|------------------------|-----------------|
| Size                     | Ød, ØD, ØD1 | Finish bore d1 |      | Dimensions [mm] |                     |                |                |                   |    |     |    |                |     |                |      |      |       | Shifting force set in [N] | Slip ring size | Shiftable linkage size |                 |
|                          |             | Min.           | max. | D <sub>H</sub>  | D <sub>2</sub> ±0,1 | D <sub>b</sub> | d <sub>H</sub> | l <sub>1</sub> /2 | E  | s   | b  | E <sub>1</sub> | L   | L <sub>1</sub> | W    | a    | n±0,1 |                           |                |                        | L <sub>SD</sub> |
| 24                       |             | 8              | 18   | 55              | 41                  | 30             | 27             | 30                | 18 | 2,0 | 14 | 16,5           | 78  | 51,5           | 16,0 | 6    | 6,0   | 98                        | 110            | —                      | —               |
| 28                       |             | 10             | 22   | 65              | 58                  | 36             | 30             | 35                | 20 | 2,5 | 15 | 18,0           | 90  | 60,0           | 17,5 | 8    | 8,0   | 119                       | 130            | —                      | —               |
| 38                       |             | 12             | 28   | 80              | 70,5                | 45             | 38             | 45                | 24 | 3,0 | 18 | 22,0           | 114 | 73,0           | 21,0 | 8    | 12,5  | 140                       | 150            | 1.1                    | 1               |
| 42                       |             | 14             | 32   | 95              | 70,5                | 50             | 46             | 50                | 26 | 3,0 | 20 | 24,0           | 126 | 82,0           | 23,0 | 8    | 12,5  | 156                       | 180            | 1.1                    | 1               |
| 48                       |             | 15             | 40   | 105             | 89,5                | 60             | 51             | 56                | 28 | 3,5 | 21 | 25,5           | 140 | 90,5           | 24,5 | 6    | 17,5  | 172                       | 200            | 2.2                    | 2               |
| 55                       |             | 18             | 48   | 120             | 112,5               | 70             | 60             | 65                | 30 | 4,0 | 22 | 27,0           | 160 | 103,0          | 26,0 | 6    | 18,0  | 195                       | 250            | 3.3                    | 3               |
| 65                       |             | 20             | 55   | 135             | 112,5               | 80             | 68             | 75                | 35 | 4,5 | 26 | 32,0           | 185 | 120,0          | 30,5 | 7    | 18,0  | 227                       | 280            | 3.3                    | 3               |
| 75                       |             | 25             | 65   | 160             | 130,5               | 95             | 80             | 85                | 40 | 5,0 | 30 | 37,0           | 210 | 135,0          | 35,0 | 6    | 20,5  | 257                       | 350            | 4.4                    | 3               |
| 90                       |             | 28             | 75   | 200             | 164,5               | 110            | 100            | 100               | 45 | 5,5 | 34 | 41,0           | 245 | 152,0          | 39,5 | 8    | 25,5  | 293                       | 350            | 5.5                    | 4               |
| 100                      |             | 30             | 80   | 225             | 164,5               | 115            | 113            | 110               | 50 | 6,0 | 38 | 46,0           | 270 | 169,0          | 44,0 | 14   | 25,5  | 325                       | 380            | 5.5                    | 4               |
| 110                      |             | 35             | 85   | 255             | 164,5               | 125            | 127            | 120               | 55 | 6,5 | 42 | 51,5           | 295 | 184,0          | 48,5 | 18,5 | 25,5  | 355                       | 450            | 5.5                    | 4               |
| 125                      |             | 40             | 100  | 290             | 210,5               | 145            | 147            | 140               | 60 | 7,0 | 46 | 55,5           | 340 | 208,5          | 53,0 | 18,5 | 30,5  | 404                       | 500            | 6.6                    | 5               |

| Slip ring and shiftable linkage |                           |                 |                |    |                |                |                |                 |                |       |                |                |                |     |                     |                     |                                |     |      |      |  |
|---------------------------------|---------------------------|-----------------|----------------|----|----------------|----------------|----------------|-----------------|----------------|-------|----------------|----------------|----------------|-----|---------------------|---------------------|--------------------------------|-----|------|------|--|
| Size                            | Size of shiftable linkage | Dimensions [mm] |                |    |                |                |                |                 |                |       |                |                |                |     |                     |                     | Max. speed [rpm] for slip ring |     |      |      |  |
|                                 |                           | a <sub>1</sub>  | b <sub>1</sub> | c  | d <sub>2</sub> | d <sub>3</sub> | d <sub>5</sub> | e <sup>1)</sup> | e <sub>1</sub> | F     | g <sub>1</sub> | L <sub>2</sub> | L <sub>3</sub> | m   | m <sub>1</sub> Min. | m <sub>1</sub> max. |                                | A   | B    |      |  |
| 38                              | 1                         | 110             | 50             | 18 | 20             | 11             | 12             | 30              | 25             | 70    | 55             | 320            | 400            | 75  | 180                 | 190                 | 90                             | 114 | 3280 |      |  |
| 42                              | 1                         |                 |                |    |                |                |                |                 |                |       |                |                |                |     |                     |                     |                                |     |      |      |  |
| 48                              | 2                         |                 |                |    | 25             |                |                |                 | 27             | 97,5  | 60             | 430            | 450            |     |                     | 240                 | 270                            | 111 | 151  | 2550 |  |
| 55                              | 3                         | 140             |                |    |                |                | 17             | 40              |                |       |                |                |                | 100 |                     |                     |                                |     |      | 2120 |  |
| 65                              | 3                         |                 |                |    | 30             |                |                |                 | 32,5           | 120   | 70             | 490            | 600            |     |                     | 280                 | 310                            |     |      | 1710 |  |
| 75                              | 3                         |                 | 60             | 25 |                | 13,5           |                |                 |                |       |                |                |                |     |                     |                     |                                | 170 | 210  |      |  |
| 90                              | 4                         |                 |                |    |                |                |                |                 |                |       |                |                |                |     |                     |                     |                                |     |      |      |  |
| 100                             | 4                         | 160             |                |    | 35             |                | 21             | 50              | 37,5           | 147,5 | 70             | 565            | 750            |     | 120                 | 321                 | 365                            | 200 | 244  | 1360 |  |
| 110                             | 4                         |                 |                |    |                |                |                |                 |                |       |                |                |                |     |                     |                     |                                |     |      |      |  |
| 125                             | 5                         |                 |                |    | 40             |                | 25             |                 | 46             | 190   | 80             | 630            | 1085           |     |                     | 365                 | 410                            | 250 | 300  | 855  |  |

<sup>1)</sup> With a through base plate the dimension „e“ of the shiftable linkage size 5 has to be increased by at least 10 mm. Finish bore according to ISO fit H7, feather keyway acc. to DIN 6885 sheet 1 - IS9

|                   |               |      |   |                 |           |             |           |             |
|-------------------|---------------|------|---|-----------------|-----------|-------------|-----------|-------------|
| Ordering example: | ROTEX® 38     | SD   | With 1.1 and 1                            | 98 Sh-A         | 1         | Ø38         | 11        | Ø28         |
|                   | Coupling size | Type | with slip ring 1.1 and shifting linkage 1 | Spider hardness | Component | Finish bore | Component | Finish bore |